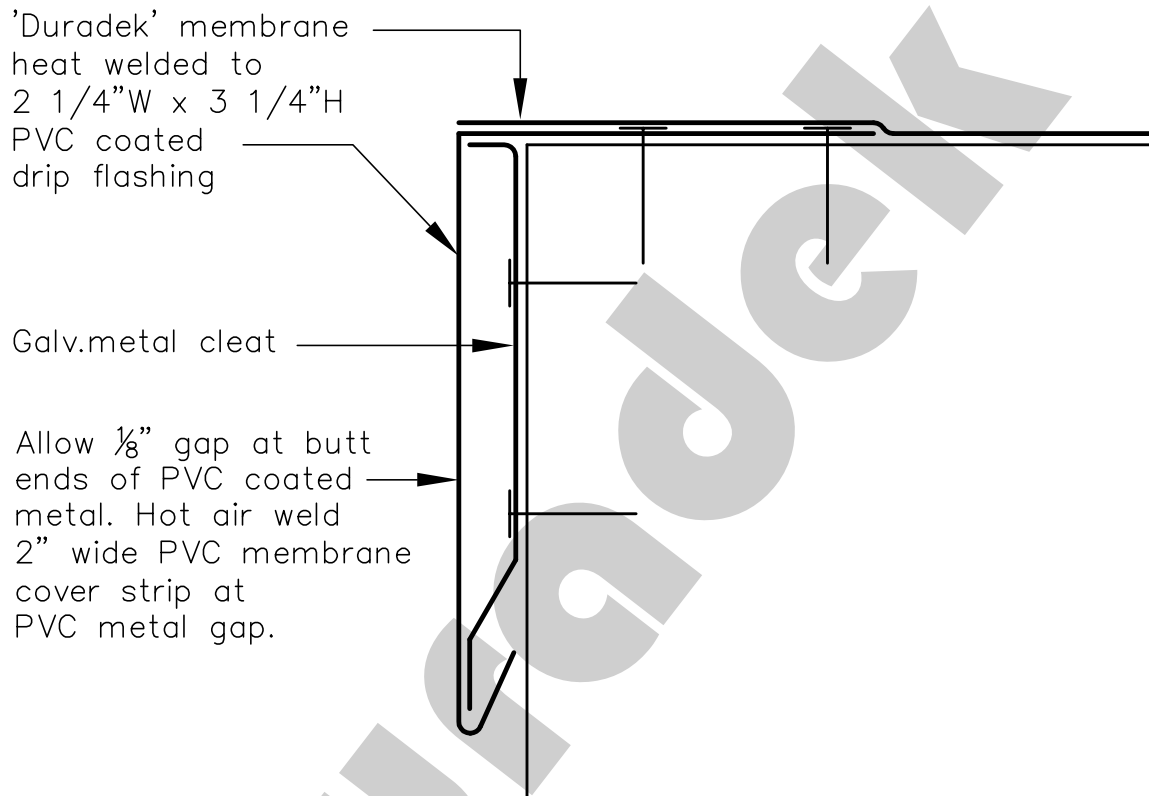


OUTSIDE PERIMETER DETAIL- ANSI/SPRI ES-1 DESIGN

PVC metal drip edge. high wind areas
(meets ANSI/SPRI ES-1 wind design standards for
edge systems used with low slope roof systems).



NOTE: Building envelope components & systems to resist
structural loads as required by governing building code.
Building design & structural load requirements determined by others.
Shop drawings available – upon request.

NOTE: AS A SUPPLIER OF FINISHED PRODUCT ONLY, DURADEK LTD. DOES NOT ASSUME RESPONSIBILITY FOR
ERRORS IN DESIGN, ENGINEERING, OR DIMENSIONS. THE ARCHITECT, ENGINEER, SPECIFIER, CONTRACTOR
OR OWNERS' REPRESENTATIVE MUST VERIFY ALL DIMENSIONS, SIZES & SUITABILITY OF DETAILS.

DURADEK LTD.

CANADA
UNITED STATES

Bus: (604) 591-5594
Bus: (816) 421-5830

Fax: (604) 591-3100
Fax: (816) 421-2924

SYSTEM:
ALL ASSEMBLIES

DATE: 22/05/12
REV. DATE:

DRAWING No.:
OS-15

