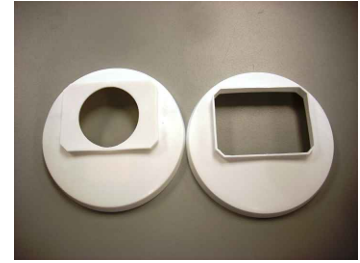
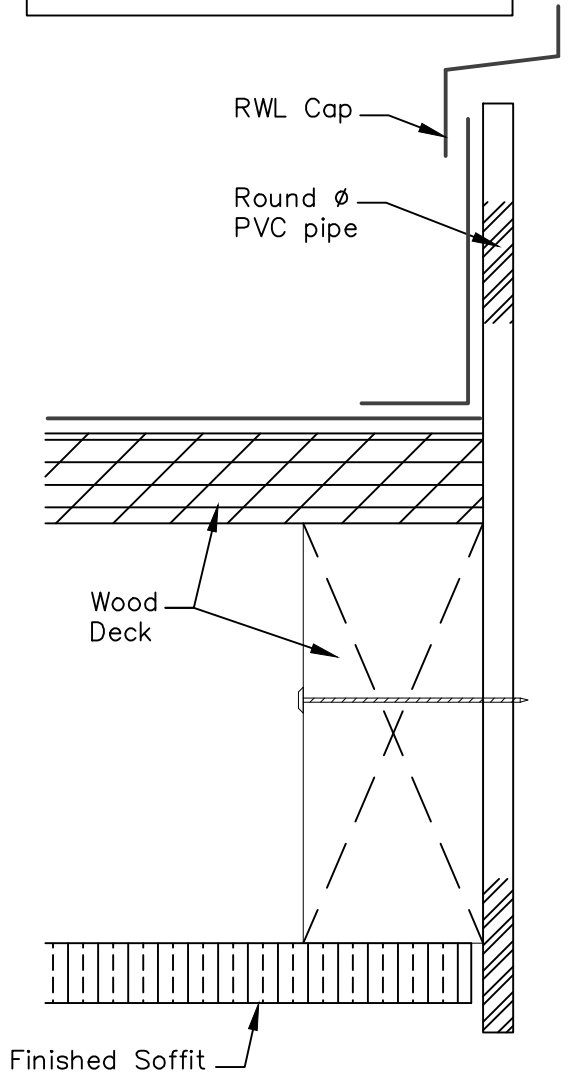


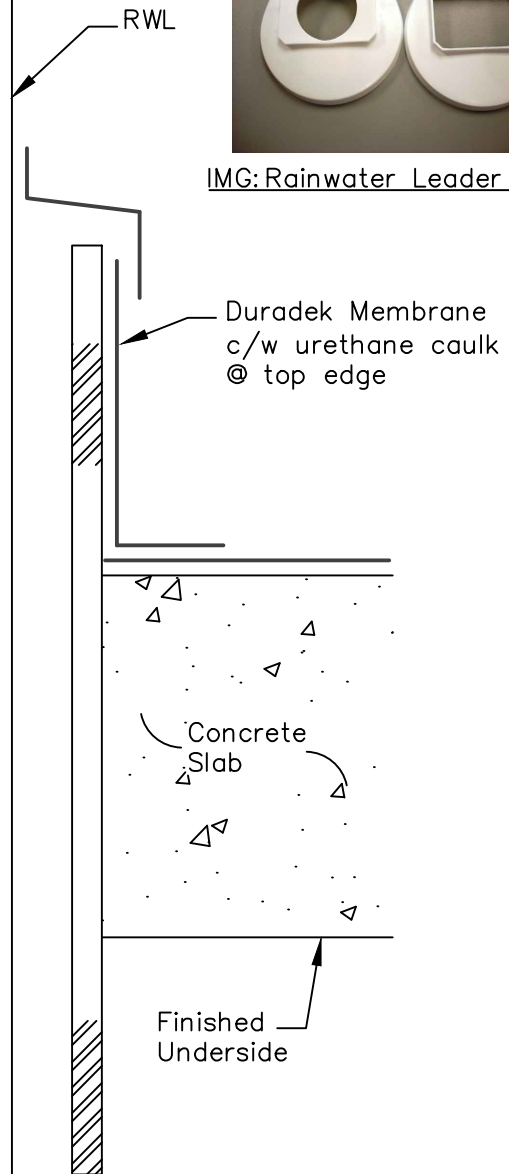
RAINWATER LEADER (RWL) THRU DECK DETAIL

NOTE:

Set RWL far enough off wall to help with contractor installation. 3"- 4" clearance should work from pipe to wall



IMG: Rainwater Leader Caps



NOTE:

AS A SUPPLIER OF FINISHED PRODUCT ONLY, DURADEK LTD. DOES NOT ASSUME RESPONSIBILITY FOR ERRORS IN DESIGN, ENGINEERING, OR DIMENSIONS. THE ARCHITECT, ENGINEER, SPECIFIER, CONTRACTOR OR OWNERS' REPRESENTATIVE MUST VERIFY ALL DIMENSIONS, SIZES & SUITABILITY OF DETAILS.

FOR USE ON SURFACES OVER NON-HABITABLE SPACE ONLY: DURADEK DESIGNATES "NON-HABITABLE SPACE" AS AN AREA NOT OVER A LIVING AREA OR OTHER AREAS, WHICH ARE NOT GOVERNED BY THE LOCAL BUILDING CODES (I.E.: SUN DECKS, PATIOS, ETC.).

DURADEK LTD.

CANADA
UNITED STATES

Bus: (604) 591-5594
Bus: (816) 421-5830

Fax: (604) 591-3100
Fax: (816) 421-2924

SYSTEM:
OVER NON-HABITABLE AREAS

DATE: 08/06/16
REV. DATE:

DRAWING No.:
NH-09