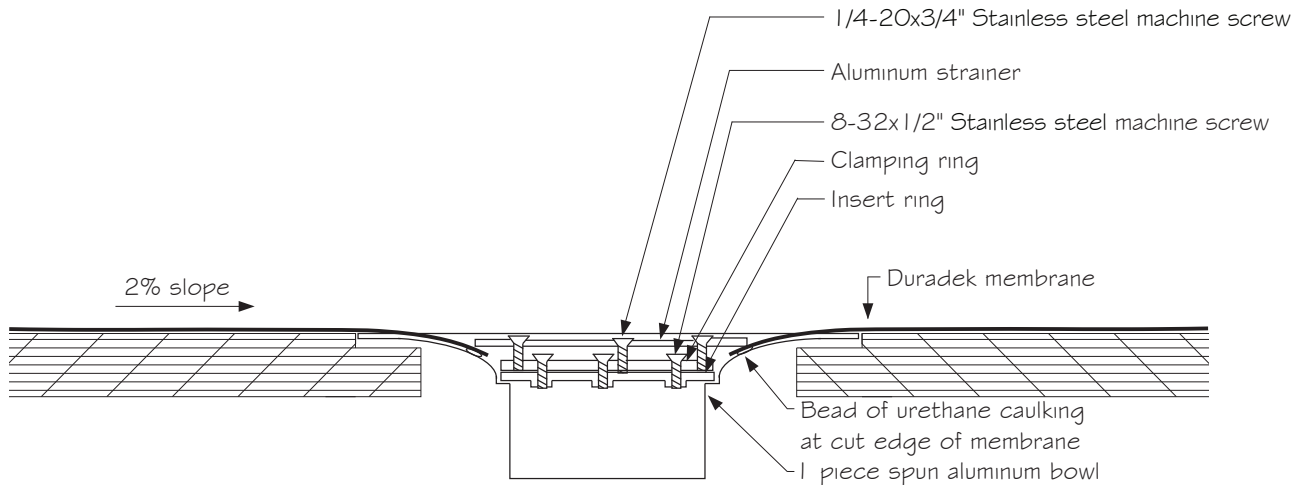


## DRAIN DETAIL - ALUMINUM DECK DRAIN



### Installation Notes:

- Drain to be countersunk into plywood deck approximately 1/8"
- Drain body is attached to plywood with 6 x #8 x 1 1/2" screws (or roofing nails). Countersink screw heads with 3/8" high speed countersink drill bit (nic). File off burrs (on back side) created from drilling process.
- Attach drain body to drain pipe with "M-J" coupling (nic). Coupling available in stepped sizes for attachment to both larger and smaller diameter drain pipes. (By others)
- Apply bead of urethane caulking at cut edge of membrane bowl.
- Install drain cover with (3) screws supplied.

### NOTE:

AS A SUPPLIER OF FINISHED PRODUCT ONLY, DURADEK DOES NOT ASSUME RESPONSIBILITY FOR ERRORS IN DESIGN, ENGINEERING, OR DIMENSIONS. THE ARCHITECT, ENGINEER, SPECIFIER, CONTRACTOR OR OWNERS' REPRESENTATIVE MUST VERIFY ALL DIMENSIONS, SIZES, AND SUITABILITY OF DETAILS, AND ARE IN ACCORDANCE WITH GOVERNING BUILDING CODES.

**DURADEK LTD.**

CANADA  
UNITED STATES

Bus: (604) 591-5594  
Bus: (816) 421-5830

Fax: (604) 591-3100  
Fax: (816) 421-2924

SYSTEM:  
ALL ASSEMBLIES

DATE: 22/05/19  
REV. DATE.

DRAWING No.:  
DR-02 - Alt A