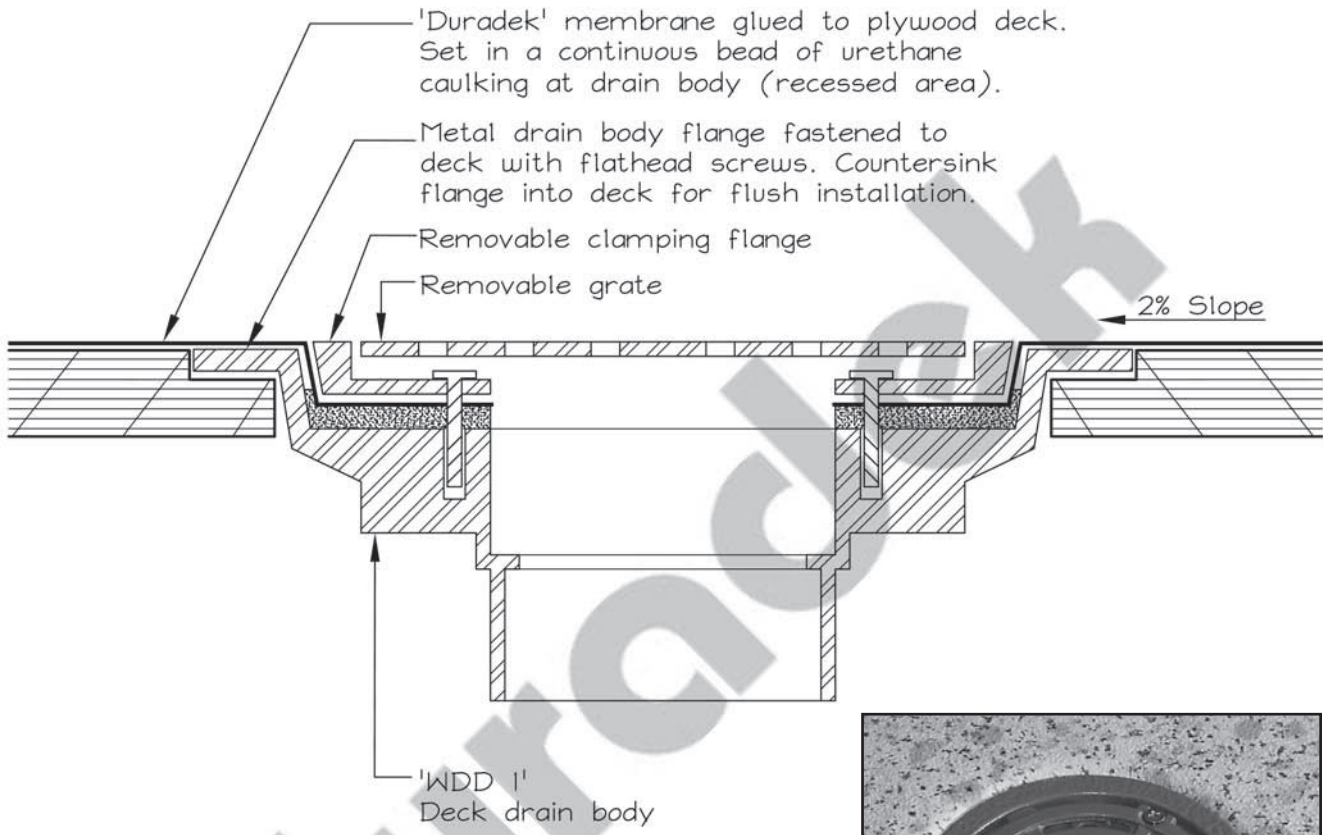


DRAIN DETAIL- 'WDD-1' DECK DRAIN



KEY DIMENSIONS:
 Flange Diameter: 8 $\frac{1}{8}$ "
 Body Height: 3 $\frac{3}{8}$ "
 Pipe Size: 2" NH (MJ) outlet



NOTE: AS A SUPPLIER OF FINISHED PRODUCT ONLY, DURADEK LTD. DOES NOT ASSUME RESPONSIBILITY FOR ERRORS IN DESIGN, ENGINEERING, OR DIMENSIONS. THE ARCHITECT, ENGINEER, SPECIFIER, CONTRACTOR OR OWNERS' REPRESENTATIVE MUST VERIFY ALL DIMENSIONS, SIZES & SUITABILITY OF DETAILS.

DURADEK LTD.

CANADA
UNITED STATES

Bus: (604) 591-5594
Bus: (816) 421-5830

Fax: (604) 591-3100
Fax: (816) 421-2924

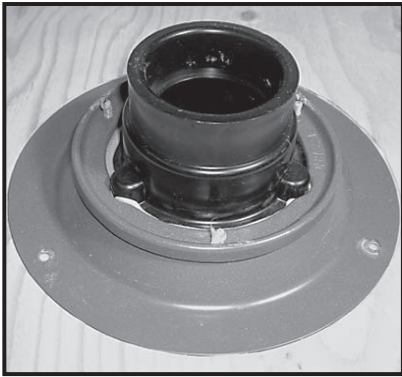
SYSTEM:
ALL ASSEMBLIES

DATE: **31/08/04**
REV. DATE: **29/08/07**

DRAWING No.:
DR-01

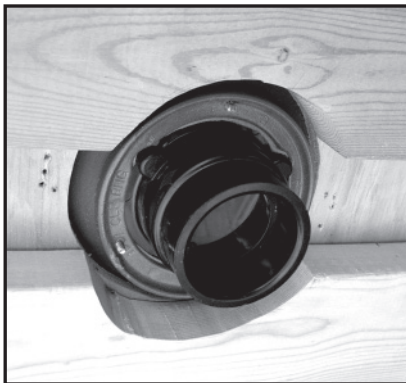
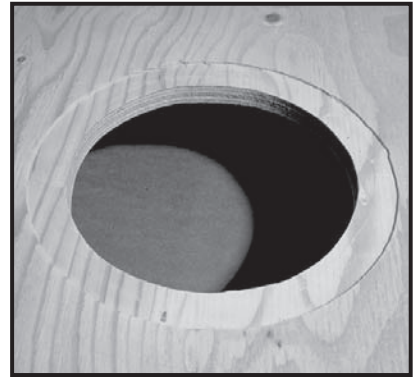


WDD -1 DRAIN INSTALLATION PROCEDURE



1) Use drain body as template to mark 8 1/8" dia flange recess area & center of drain

2) Cut 6 1/2" dia hole
3) Router recess so drain flange will sit flush with deck surface



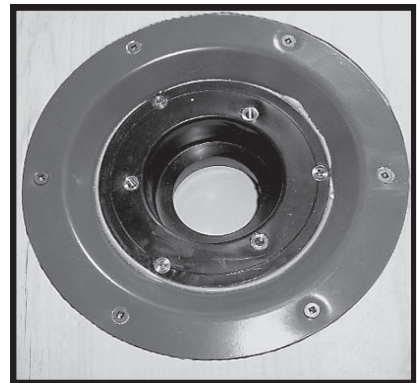
4) Scallop 2" x 6" blocking to accommodate drain body

5) Blocking to span between joists. End fasten thru joists with 3x#10x3" SS WS at each end

6) Pre-drill additional 3 x pilot holes in drain flange, centered between existing holes

7) Fasten WDD-1 with 6x #8 x 1 1/2" SS WS

8) Lightly grind top of drain flange



9) Install membrane, cut 3" dia hole (centered), cut patches at clamping flange fastening points

10) Apply cont. bead of approved urethane caulking at clamping flange seating area



11) Install retainer clamping flange with (3) screws (supplied)

12) Install grate with (2) screws (supplied)

Note: 2" (51) ABS body will accept 2" (51) pipe size, NH (MJ) outlet

